



K74 is a guide ring designed to be used for rod applications.

#### PRODUCT ADVANTAGES

- Easy, snap-in fitting
- Medium load-bearing capacity
- Prevents hydrodynamic pressure due to the k interval
- Very good dimension stability during the operating temperatures
- Economical guiding solution

#### APPLICATION

Agricultural machinery, light to medium duty cylinders.

MATERIAL	CODE
POM special filled	PM9902

OPERATING CONDITIONS			
<b>MEDIA</b>	Mineral oils (DIN 51524)	HFA and HFB	HFC
<b>TEMPERATURE</b>	-30°C +125°C	+5°C +50°C	-30°C +40°C
<b>CONTACT PRESSURE</b>	≤40 N/mm <sup>2</sup>	≤40 N/mm <sup>2</sup>	≤40 N/mm <sup>2</sup>
<b>SPEED</b>	≤1.0 m/sec	≤1.0 m/sec	≤1.0 m/sec

*Note: The above data are maximum values and cannot be used at the same time.*

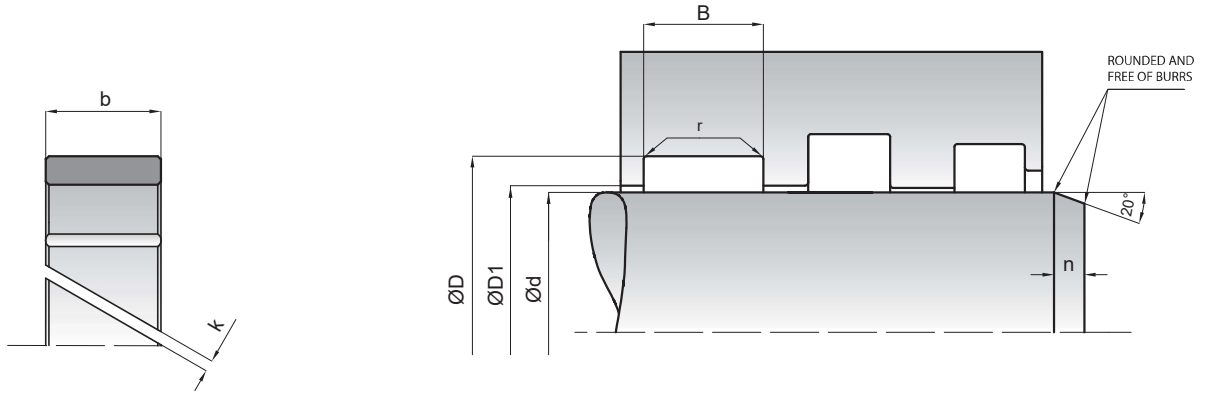
SURFACE ROUGHNESS		Ra	Rmax
<b>Sliding Surface</b>	Ød	≤0.40 µm	≤3.2 µm
<b>Groove Base</b>	ØD	≤2.5 µm	≤10 µm
<b>Groove Flanks</b>	B	≤3.2 µm	≤16 µm

#### INSTALLATION

Easily assembled into the housing by hand. It is very important that the assembly tools must be of soft material and have no sharp edges. Before installation the guide element must be oiled with system oil.

#### NOTES

During design stage of the cylinder, K74 guide ring should be placed where it has direct contact with the media. K74 is not suitable for dry working conditions. Surface contact pressure value might drop due to the temperature increase.



KASTAŞ NO	d (f8)	D (H8)	b	B (-0/+0.2)	D1 (H9)	r	k
K74-020	20	30	12.8	13	21	0.2	5
K74-025	25	35	12.8	13	26	0.2	5
K74-030	30	40	12.8	13	31	0.2	5
K74-035	35	45	12.8	13	36	0.2	5
K74-040	40	50	15.8	16	41	0.2	5
K74-045	45	55	15.8	16	46	0.2	5
K74-045/1	45	60	15.8	16	46	0.2	5
K74-055	55	65	15.8	16	56.5	0.2	5.5
K74-065	65	75	15.8	16	66.5	0.2	5.5
K74-075	75	85	15.8	16	76.5	0.2	5.5