

K741 - STATIC SEAL

OTHER PRODUCTS



K741 is a static seal produced from PTFE ring and a spring energizer. Providing resistance high pressures. K741 has a wide media compatibility.

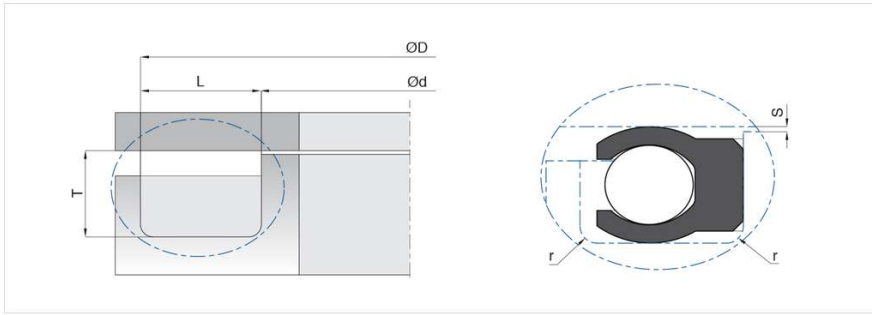
**Advantages**

- High contact pressure and preloading
- High sealing performance at all fluid types including air and gas
- Wide temperature range
- Long service life

**Area of Application**

- Compressors
- Spherical Valves
- Chemical Industry
- Oil and gas applications
- Vacuum applications
- Swivel Joints
- Gas chromatography

Material	Code	Pressure (max) bar	Temperature (max) °C	Sliding Speed (max)- m/s
PTFE YAY	PT6005 CN9903	600	-70/+260	



	d (H10)	D	T	Lmin	rmaks	MATERIAL	Kastaş CODE
K741-010	10	17.2	2.25 (+0.05)	3.6	0.38	PT6005	10038434
K741-012	12	19.2	2.25 (+0.05)	3.6	0.38	PT6005	10038436
K741-014	14	21.2	2.25 (+0.05)	3.6	0.38	PT6005	10038437
K741-015	15	22.2	2.25 (+0.05)	3.6	0.38	PT6005	10038438
K741-016	16	23.2	2.25 (+0.05)	3.6	0.38	PT6005	10038439
K741-018	18	25.2	2.25 (+0.05)	3.6	0.38	PT6005	10038440
K741-020	20	29.6	3.1 (+0.08)	4.8	0.38	PT6005	10038441
K741-022	22	31.6	3.1 (+0.08)	4.8	0.38	PT6005	10038444
K741-025	25	34.6	3.1 (+0.08)	4.8	0.38	PT6005	10038445
K741-028	28	37.6	3.1 (+0.08)	4.8	0.38	PT6005	10038446
K741-030	30	39.6	3.1 (+0.08)	4.8	0.38	PT6005	10038447
K741-032	32	41.6	3.1 (+0.08)	4.8	0.38	PT6005	10038448
K741-035	35	44.6	3.1 (+0.08)	4.8	0.38	PT6005	10038449
K741-036	36	45.6	3.1 (+0.08)	4.8	0.38	PT6005	10038450
K741-040	40	54.2	4.7 (+0.1)	7.1	0.38	PT6005	10038451
K741-042	42	56.2	4.7 (+0.1)	7.1	0.38	PT6005	10038452
K741-045	45	59.2	4.7 (+0.1)	7.1	0.38	PT6005	10038453
K741-048	48	62.2	4.7 (+0.1)	7.1	0.38	PT6005	10038454
K741-050	50	64.2	4.7 (+0.1)	7.1	0.38	PT6005	10038455
K741-052	52	66.2	4.7 (+0.1)	7.1	0.38	PT6005	10038456
K741-055	55	69.2	4.7 (+0.1)	7.1	0.38	PT6005	10038457
K741-056	56	70.2	4.7 (+0.1)	7.1	0.38	PT6005	10038458
K741-060	60	74.2	4.7 (+0.1)	7.1	0.38	PT6005	10038459
K741-063	63	77.2	4.7 (+0.1)	7.1	0.38	PT6005	10038460
K741-065	65	79.2	4.7 (+0.1)	7.1	0.38	PT6005	10038461
K741-070	70	84.2	4.7 (+0.1)	7.1	0.38	PT6005	10038462
K741-075	75	89.2	4.7 (+0.1)	7.1	0.38	PT6005	10038463
K741-080	80	94.2	4.7 (+0.1)	7.1	0.38	PT6005	10038464
K741-085	85	99.2	4.7 (+0.1)	7.1	0.38	PT6005	10038465
K741-090	90	104.2	4.7 (+0.1)	7.1	0.38	PT6005	10038466
K741-095	95	109.2	4.7 (+0.1)	7.1	0.38	PT6005	10038467
K741-100	100	114.2	4.7 (+0.1)	7.1	0.38	PT6005	10038468
K741-105	105	119.2	4.7 (+0.1)	7.1	0.38	PT6005	10038469
K741-110	110	124.2	4.7 (+0.1)	7.1	0.38	PT6005	10038470
K741-115	115	129.2	4.7 (+0.1)	7.1	0.38	PT6005	10038471
K741-120	120	139	6.1 (+0.15)	9.5	0.51	PT6005	10038472
K741-125	125	144	6.1 (+0.15)	9.5	0.51	PT6005	10038473
K741-130	130	149	6.1 (+0.15)	9.5	0.51	PT6005	10038474
K741-135	135	154	6.1 (+0.15)	9.5	0.51	PT6005	10038475
K741-140	140	159	6.1 (+0.15)	9.5	0.51	PT6005	10038476
K741-145	145	164	6.1 (+0.15)	9.5	0.51	PT6005	10038477
K741-150	150	169	6.1 (+0.15)	9.5	0.51	PT6005	10038478