

K43 is a three piece single acting sealing set which consists of one reinforced cotton fabric and nitrile rubber vulcanized together, one L shaped thermoplastic guide back-up ring and a retaining ring.

#### PRODUCT ADVANTAGES

- Functions even with poor surfaces
- Limited space thanks to the open housing in one-piece piston
- Reinforced cotton fabric base prevents the seal from extrusion
- Good sealing at low pressures

#### APPLICATION

Mining equipment, after market, mobile hydraulics, presses and standard cylinders.

MATERIAL		CODE
NBR	80 SHORE A	NB8001
COTTON FABRIC NBR		NB8008
POM		PM9901

OPERATING CONDITIONS			
MEDIA	Mineral oils (DIN 51524)	HFA and HFB	HFC
TEMPERATURE	-30°C +105°C	+5°C +60°C	-30°C +60°C
PRESSURE	≤500 Bar	≤500 Bar	≤500 Bar
SPEED	≤0.5 m/sec	≤0.5 m/sec	≤0.5 m/sec

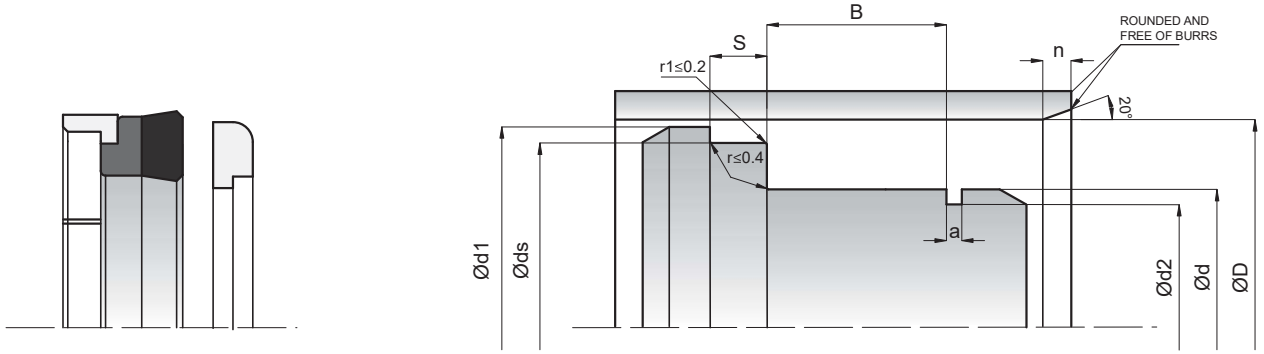
*Note: The above data are maximum values and cannot be used at the same time.*

SURFACE ROUGHNESS		Ra	Rmax
Sliding Surface	∅D	≤0.4 μm	≤3.2 μm
Groove Base	∅d	≤1.8 μm	≤6.3 μm
Groove Flanks	B	≤3.2 μm	≤16 μm

*Note: It is recommended to have 50% to 90% of the working surface material contact area value.*

#### INSTALLATION

Easily assembled into one-piece piston by hand. Open groove design gives an advantage for easy machining and reducing the machining costs. It is very important that the installation tools must be of soft material and have no sharp edges. Before installation all individual parts of the seal must be oiled with system oil.



KASTAŞ NO	D (H11)	d (h9)	B (-0/+0.2)	S (-0/+0.2)	a (-0/+0.1)	ds (h8)	d2 (+0/-0.2)	d1 (± 0.1)	n
K43-032	32.00	20.00	10.00	6.35	3.10	28.50	15.80	29.80	5
K43-035	35.00	22.00	10.00	6.35	3.10	31.40	17.80	32.80	5
K43-038	38.00	25.00	10.00	6.35	3.10	34.45	20.80	35.80	5
K43-040	40.00	26.00	9.40	6.35	3.10	35.40	21.60	37.80	5
K43-045	45.00	30.00	9.50	6.35	3.10	40.40	25.80	42.80	5
K43-045/1	45.00	35.00	8.50	6.35	3.10	42.00	30.80	42.80	5
K43-050	50.00	30.00	14.50	6.35	3.35	44.30	25.80	47.50	5
K43-055	55.00	40.00	11.00	6.35	3.10	50.40	35.80	52.80	5
K43-060	60.00	40.00	14.50	6.35	3.35	54.16	36.10	57.50	5
K43-063	63.00	45.00	11.00	6.35	3.10	58.40	40.84	60.50	5
K43-063/1	63.50	47.62	9.52	6.35	3.10	58.90	41.34	61.30	5
K43-065	65.00	45.00	14.00	6.35	3.35	59.30	40.60	62.50	5
K43-065/1	65.00	50.00	10.50	6.35	3.10	60.40	45.60	62.80	5
K43-070	70.00	50.00	14.50	6.35	3.35	64.20	45.84	67.50	5
K43-075	75.00	55.00	14.50	6.35	3.35	69.20	50.60	72.50	5
K43-080	80.00	60.00	14.50	6.35	3.35	74.30	55.80	77.50	5
K43-085	85.00	70.00	12.00	6.35	3.10	80.30	65.50	82.80	5
K43-090	90.00	70.00	14.50	6.35	3.35	84.15	66.10	87.50	5
K43-095	95.00	75.00	14.50	6.35	3.20	89.15	71.00	92.50	5
K43-100	100.00	80.00	14.50	6.35	3.35	94.15	75.84	97.50	7
K43-104	104.50	85.00	13.00	6.35	3.35	98.90	81.10	102.00	7
K43-105	105.00	85.00	14.00	6.35	3.35	99.42	80.60	102.50	7
K43-110	110.00	90.00	13.00	6.35	3.10	104.15	85.90	107.50	7
K43-115	115.00	95.00	14.50	6.35	3.35	109.90	90.50	112.50	7
K43-120	120.00	100.00	12.50	6.35	3.35	114.10	95.60	117.50	7
K43-125	125.00	105.00	12.50	6.35	3.35	119.15	101.00	122.50	7
K43-130	130.00	110.00	12.00	6.35	3.35	123.24	105.60	127.50	7
K43-150	150.00	125.00	14.00	6.35	3.35	143.00	120.60	147.30	7
K43-160	160.00	140.00	14.00	6.35	3.20	154.30	136.00	157.50	7
K43-200	200.00	180.00	14.00	6.35	3.10	194.00	175.60	197.50	7